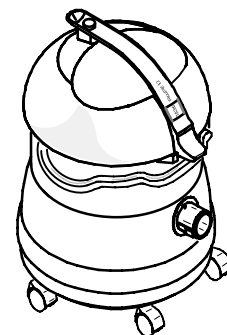




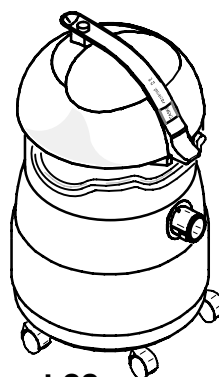
Ersatzteilliste
Liste des pièces de rechange
Spare parts list

TASKI vacumat 12
TASKI vacumat 22
TASKI vacumat 22T

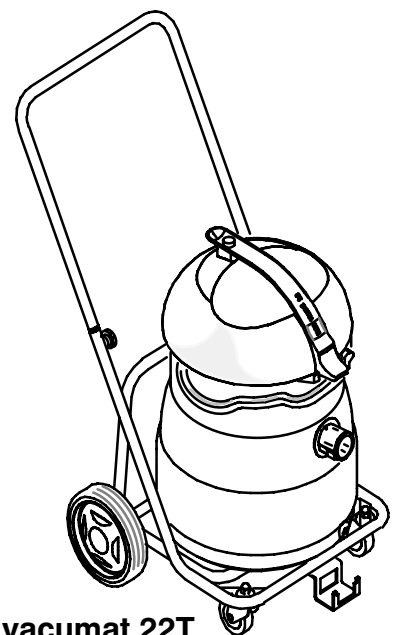
| TASKI VACUMAT 12,22,22T | | | | |
|--------------------------------|------|-------------|-----------|-------|
| Artikel/article | | | | |
| Prod. CH | | | | Serie |
| 8003370 | SEV | S.6.3 /12 | 230V/50HZ | 02 |
| 8003380 | EURO | S.6.3 /12 | 230V/50HZ | 02 |
| 8003390 | CSA | S.6.3C /12 | 120V/60HZ | 01 |
| 8004110 | UK | S.6.3 /12 | 240V/50HZ | 02 |
| 8004260 | SEV | S.6.3 /22 | 230V/50HZ | 02 |
| 8004270 | EURO | S.6.3 /22 | 230V/50HZ | 02 |
| 8004290 | CSA | S.6.3C /22 | 120V/60HZ | 01 |
| 7517929 | KSA | S.6.3M /22 | 230V/60HZ | 02 |
| 7510805 | CSA | S.6.3C /22T | 120V/60HZ | 01 |
| 8004550 | SEV | S.6.3 /22T | 230V/50HZ | 02 |
| 8004560 | EURO | S.6.3 /22T | 230V/50HZ | 02 |
| 8004561 | EURO | S.6.3 /22T | 230V/50HZ | 02 |
| 8004570 | UK | S.6.3 /22T | 240V/50HZ | 02 |



vacumat 12



vacumat 22



vacumat 22T



Postfach CH 9542 Münchwilen
 Telefon +41 71 969 27 27 Fax +41 71 969 22 53

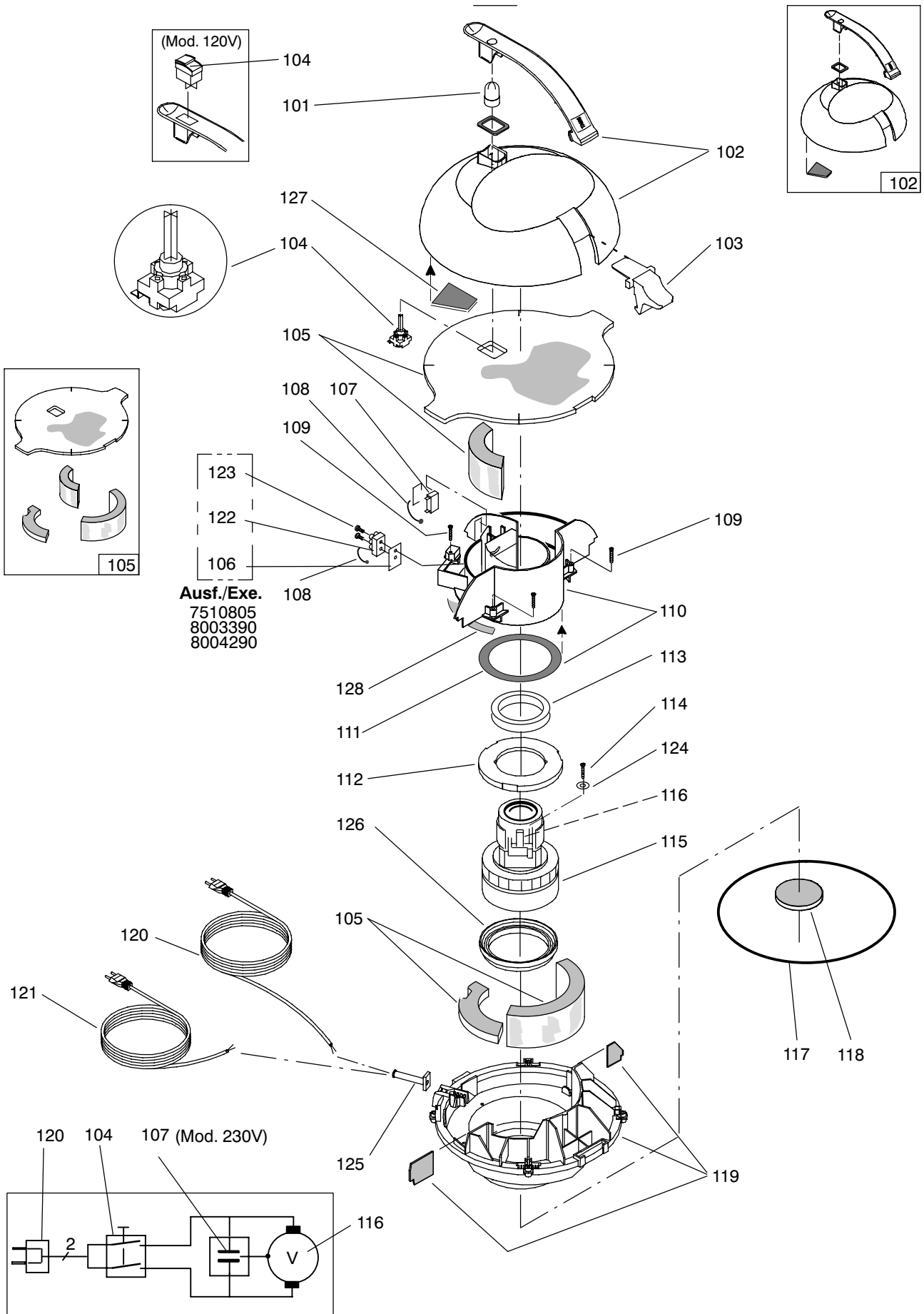
Ausführung/Execution; List(e) /3
 12.08.2002 SPS

| S001308 | | | | | TASKI vacumat 12,22,22T | TASKI vacumat 12,22,22T | TASKI vacumat 12,22,22T |
|----------|---------------------------------|---------------------------------|-------|-----------------|-------------------------|------------------------------|-------------------------|
| Pos. No. | Artikelnr. Article No. Item No. | Bestellnr. No. de com Order No. | Model | Stck. Piè. Qty. | Bezeichnung | Designation | Description |
| 1 | S001297 | | | 1.00 | Saugeroberteil | Aspirateur partie supérieure | Vacuum upper part |
| 2 | S001303 | | | 1.00 | Kessel | Cuve | Tank |
| 3 | S001306 | | | 1.00 | Fahrgestell | Chariot | Cart |
| 4 | S001307 | | | 1.00 | Düse | Suceur | Squeegee |

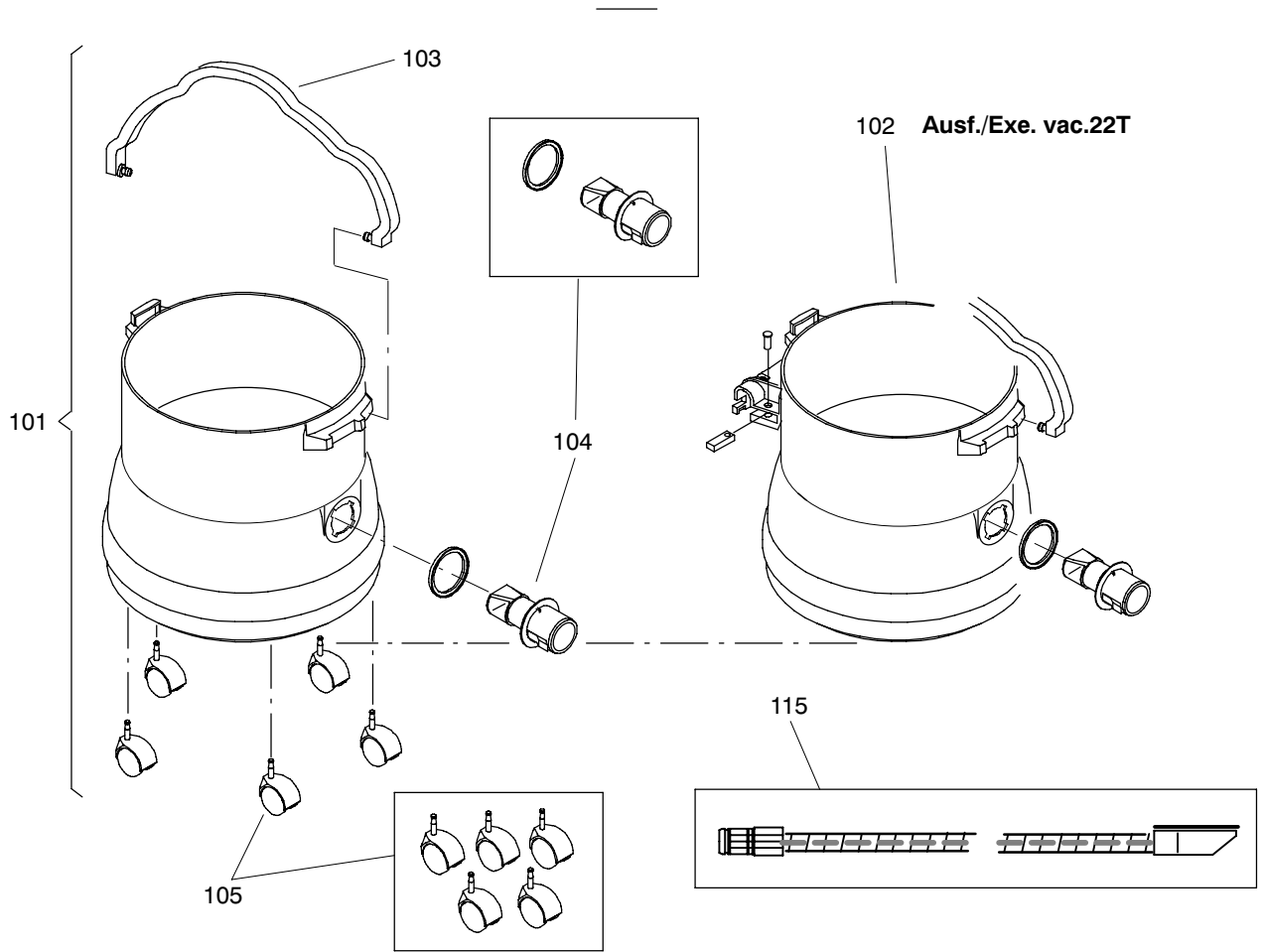
| S001297 | | | | | Saugeroberteil | Aspirateur partie supérieure | Vacuum upper part |
|----------|---------------------------------|---------------------------------|---------|-----------------|---------------------------|-------------------------------|-----------------------------|
| Pos. No. | Artikelnr. Article No. Item No. | Bestellnr. No. de com Order No. | Model | Stck. Piè. Qty. | Bezeichnung | Designation | Description |
| 101 | 30014-63 | 4093050 | 8003370 | 1.00 | Drücker elastisch | Bouton-poussoir | Push Button |
| 101 | 30014-63 | 4093050 | 8003380 | 1.00 | Drücker elastisch | Bouton-poussoir | Push Button |
| 101 | 30014-63 | 4093050 | 8004110 | 1.00 | Drücker elastisch | Bouton-poussoir | Push Button |
| 101 | 30014-63 | 4093050 | 8004260 | 1.00 | Drücker elastisch | Bouton-poussoir | Push Button |
| 101 | 30014-63 | 4093050 | 8004270 | 1.00 | Drücker elastisch | Bouton-poussoir | Push Button |
| 101 | 30014-63 | 4093050 | 8004550 | 1.00 | Drücker elastisch | Bouton-poussoir | Push Button |
| 101 | 30014-63 | 4093050 | 8004560 | 1.00 | Drücker elastisch | Bouton-poussoir | Push Button |
| 101 | 30014-63 | 4093050 | 8004561 | 1.00 | Drücker elastisch | Bouton-poussoir | Push Button |
| 101 | 30014-63 | 4093050 | 8004570 | 1.00 | Drücker elastisch | Bouton-poussoir | Push Button |
| 101 | 30014-63 | 4093050 | 7517929 | 1.00 | Drücker elastisch | Bouton-poussoir | Push Button |
| 102 | 30015-70 | 4103360 | 8003370 | 1.00 | Haube kpl | Couvercle de la machine compl | Hood compl |
| 102 | 30015-70 | 4103360 | 8003380 | 1.00 | Haube kpl | Couvercle de la machine compl | Hood compl |
| 102 | 30015-70 | 4103360 | 8004110 | 1.00 | Haube kpl | Couvercle de la machine compl | Hood compl |
| 102 | 30015-70 | 4103360 | 8004260 | 1.00 | Haube kpl | Couvercle de la machine compl | Hood compl |
| 102 | 30015-70 | 4103360 | 8004270 | 1.00 | Haube kpl | Couvercle de la machine compl | Hood compl |
| 102 | 30015-70 | 4103360 | 8004550 | 1.00 | Haube kpl | Couvercle de la machine compl | Hood compl |
| 102 | 30015-70 | 4103360 | 8004560 | 1.00 | Haube kpl | Couvercle de la machine compl | Hood compl |
| 102 | 30015-70 | 4103360 | 8004561 | 1.00 | Haube kpl | Couvercle de la machine compl | Hood compl |
| 102 | 30015-70 | 4103360 | 8004570 | 1.00 | Haube kpl | Couvercle de la machine compl | Hood compl |
| 102 | 30015-70 | 4103360 | 7517929 | 1.00 | Haube kpl | Couvercle de la machine compl | Hood compl |
| 102 | 30015-77 | 4118070 | 7510805 | 1.00 | Haube kpl | Couvercle de la machine compl | Hood compl |
| 102 | 30015-77 | 4118070 | 8003390 | 1.00 | Haube kpl | Couvercle de la machine compl | Hood compl |
| 102 | 30015-77 | 4118070 | 8004290 | 1.00 | Haube kpl | Couvercle de la machine compl | Hood compl |
| 103 | 30014-09 | 4089060 | | 1.00 | Verschlussgriff | Verrouillage | Snap Handle |
| 104 | 4503/100 | 4093110 | 8003370 | 1.00 | Druckschalter | Interrupteur | Switch |
| 104 | 4503/100 | 4093110 | 8003380 | 1.00 | Druckschalter | Interrupteur | Switch |
| 104 | 4503/100 | 4093110 | 8004110 | 1.00 | Druckschalter | Interrupteur | Switch |
| 104 | 4503/100 | 4093110 | 8004260 | 1.00 | Druckschalter | Interrupteur | Switch |
| 104 | 4503/100 | 4093110 | 8004270 | 1.00 | Druckschalter | Interrupteur | Switch |
| 104 | 4503/100 | 4093110 | 8004550 | 1.00 | Druckschalter | Interrupteur | Switch |
| 104 | 4503/100 | 4093110 | 8004560 | 1.00 | Druckschalter | Interrupteur | Switch |
| 104 | 4503/100 | 4093110 | 8004561 | 1.00 | Druckschalter | Interrupteur | Switch |
| 104 | 4503/100 | 4093110 | 8004570 | 1.00 | Druckschalter | Interrupteur | Switch |
| 104 | 4503/100 | 4093110 | 7517929 | 1.00 | Druckschalter | Interrupteur | Switch |
| 104 | 4503/103 | 4107050 | 7510805 | 1.00 | Wippenschalter | Interrupteur | Switch |
| 104 | 4503/103 | 4107050 | 8003390 | 1.00 | Wippenschalter | Interrupteur | Switch |
| 104 | 4503/103 | 4107050 | 8004290 | 1.00 | Wippenschalter | Interrupteur | Switch |
| 105 | 30015-71 | 4103340 | | 1.00 | Dämpfungs Set | Kit isolation phonique | Noise Absorbing Set |
| 106 | 17413-01 | | 7510805 | 1.00 | Klemmschild | Plaque | Label |
| 106 | 17413-01 | | 8003390 | 1.00 | Klemmschild | Plaque | Label |
| 106 | 17413-01 | | 8004290 | 1.00 | Klemmschild | Plaque | Label |
| 107 | 4813/100 | 4094730 | 8003370 | 1.00 | Entstörkondensator 0,75µF | Condensateur 0,75µF | Noise supp capacitor 0,75µF |
| 107 | 4813/100 | 4094730 | 8003380 | 1.00 | Entstörkondensator 0,75µF | Condensateur 0,75µF | Noise supp capacitor 0,75µF |
| 107 | 4813/100 | 4094730 | 8004110 | 1.00 | Entstörkondensator 0,75µF | Condensateur 0,75µF | Noise supp capacitor 0,75µF |
| 107 | 4813/100 | 4094730 | 8004260 | 1.00 | Entstörkondensator 0,75µF | Condensateur 0,75µF | Noise supp capacitor 0,75µF |
| 107 | 4813/100 | 4094730 | 8004270 | 1.00 | Entstörkondensator 0,75µF | Condensateur 0,75µF | Noise supp capacitor 0,75µF |
| 107 | 4813/100 | 4094730 | 8004550 | 1.00 | Entstörkondensator 0,75µF | Condensateur 0,75µF | Noise supp capacitor 0,75µF |
| 107 | 4813/100 | 4094730 | 8004560 | 1.00 | Entstörkondensator 0,75µF | Condensateur 0,75µF | Noise supp capacitor 0,75µF |
| 107 | 4813/100 | 4094730 | 8004561 | 1.00 | Entstörkondensator 0,75µF | Condensateur 0,75µF | Noise supp capacitor 0,75µF |
| 107 | 4813/100 | 4094730 | 8004570 | 1.00 | Entstörkondensator 0,75µF | Condensateur 0,75µF | Noise supp capacitor 0,75µF |

| S001297 | | | | | Saugeroberteil | Aspirateur partie supérieure | Vacuum upper part |
|----------|---------------------------------|---------------------------------|---------|-----------------|-------------------------------------|--------------------------------|---------------------------------|
| Pos. No. | Artikelnr. Article No. Item No. | Bestellnr. No. de com Order No. | Model | Stck. Piè. Qty. | Bezeichnung | Designation | Description |
| 107 | 4813/100 | 4094730 | 7517929 | 1.00 | Entstörkondensator 0,75µF | Condensateur 0,75µF | Noise supp capacitor 0,75µF |
| 108 | 4215/3 | 4023260 | | 1.00 | Kabelbinder 200 | Bande à lier les câbles 200 | Cable tie 200 |
| 108 | 4215/116 | 4065440 | | 1.00 | Kabelbinder 100 | Bande à lier les câbles 100 | Cable tie 100 |
| 109 | 1840/014 | 4088930 | | 4.00 | PT-Schr LK KS KA50x30 | Vis pour plastique KA50x30 | Screw for plastic KA50x30 |
| 110 | 30015-72 | 4103440 | | 1.00 | Motorführung kpl | Guidage de moteur compl. | Motor Guiding Compl. |
| 111 | 30015-47 | 4124039 | | 1.00 | Dichtring 115/162x4 | Anneau d'étanchéité 115/162x4 | Sealing ring 115/162x4 |
| 112 | 30015-12 | 4125527 | | 1.00 | Lagerring | Anneau de caoutchouc | Rubber Ring |
| 113 | 30015-63 | 4122269 | | 1.00 | Dichtring 77/113x25 | Anneau d'étanchéité 77/113x25 | Sealing ring 77/113x25 |
| 114 | 1040/199 | 4088920 | 120V | 1.00 | Gew-Form-6Kt-Schr 4,6x8,7 | Vis autoform. six pans 4,6x8,7 | Thread form screw hex 4,6x8,7 |
| 115 | 4677/230 | 4122241 | 8003370 | 1.00 | Motorturbine 230V 50/60Hz 1266W | Turbine 230V 50/60Hz 1266W | Vacuum motor 230V 50/60Hz 1266W |
| 115 | 4677/230 | 4122241 | 8003380 | 1.00 | Motorturbine 230V 50/60Hz 1266W | Turbine 230V 50/60Hz 1266W | Vacuum motor 230V 50/60Hz 1266W |
| 115 | 4677/230 | 4122241 | 8004110 | 1.00 | Motorturbine 230V 50/60Hz 1266W | Turbine 230V 50/60Hz 1266W | Vacuum motor 230V 50/60Hz 1266W |
| 115 | 4677/230 | 4122241 | 8004260 | 1.00 | Motorturbine 230V 50/60Hz 1266W | Turbine 230V 50/60Hz 1266W | Vacuum motor 230V 50/60Hz 1266W |
| 115 | 4677/230 | 4122241 | 8004270 | 1.00 | Motorturbine 230V 50/60Hz 1266W | Turbine 230V 50/60Hz 1266W | Vacuum motor 230V 50/60Hz 1266W |
| 115 | 4677/230 | 4122241 | 8004550 | 1.00 | Motorturbine 230V 50/60Hz 1266W | Turbine 230V 50/60Hz 1266W | Vacuum motor 230V 50/60Hz 1266W |
| 115 | 4677/230 | 4122241 | 8004560 | 1.00 | Motorturbine 230V 50/60Hz 1266W | Turbine 230V 50/60Hz 1266W | Vacuum motor 230V 50/60Hz 1266W |
| 115 | 4677/230 | 4122241 | 8004561 | 1.00 | Motorturbine 230V 50/60Hz 1266W | Turbine 230V 50/60Hz 1266W | Vacuum motor 230V 50/60Hz 1266W |
| 115 | 4677/230 | 4122241 | 8004570 | 1.00 | Motorturbine 230V 50/60Hz 1266W | Turbine 230V 50/60Hz 1266W | Vacuum motor 230V 50/60Hz 1266W |
| 115 | 4677/230 | 4122241 | 7517929 | 1.00 | Motorturbine 230V 50/60Hz 1266W | Turbine 230V 50/60Hz 1266W | Vacuum motor 230V 50/60Hz 1266W |
| 115 | 4677/228 | 4107040 | 7510805 | 1.00 | Motorturbine 120V 50/60Hz 1030W | Turbine 120V 50/60Hz 1030W | Vacuum motor 120V 50/60Hz 1030W |
| 115 | 4677/228 | 4107040 | 8003390 | 1.00 | Motorturbine 120V 50/60Hz 1030W | Turbine 120V 50/60Hz 1030W | Vacuum motor 120V 50/60Hz 1030W |
| 115 | 4677/228 | 4107040 | 8004290 | 1.00 | Motorturbine 120V 50/60Hz 1030W | Turbine 120V 50/60Hz 1030W | Vacuum motor 120V 50/60Hz 1030W |
| 116 | 3395/086 | 4122037 | 8003370 | 2.00 | Kohlebürste | Balai charbon | Carbon brush |
| 116 | 3395/086 | 4122037 | 8003380 | 2.00 | Kohlebürste | Balai charbon | Carbon brush |
| 116 | 3395/086 | 4122037 | 8004110 | 2.00 | Kohlebürste | Balai charbon | Carbon brush |
| 116 | 3395/086 | 4122037 | 8004260 | 2.00 | Kohlebürste | Balai charbon | Carbon brush |
| 116 | 3395/086 | 4122037 | 8004270 | 2.00 | Kohlebürste | Balai charbon | Carbon brush |
| 116 | 3395/086 | 4122037 | 8004550 | 2.00 | Kohlebürste | Balai charbon | Carbon brush |
| 116 | 3395/086 | 4122037 | 8004560 | 2.00 | Kohlebürste | Balai charbon | Carbon brush |
| 116 | 3395/086 | 4122037 | 8004561 | 2.00 | Kohlebürste | Balai charbon | Carbon brush |
| 116 | 3395/086 | 4122037 | 8004570 | 2.00 | Kohlebürste | Balai charbon | Carbon brush |
| 116 | 3395/086 | 4122037 | 7517929 | 1.00 | Kohlebürste | Balai charbon | Carbon brush |
| 116 | 4700/121 | 4109020 | 7510805 | 2.00 | Kohlebürste | Balai charbon | Carbon brush |
| 116 | 4700/121 | 4109020 | 8003390 | 2.00 | Kohlebürste | Balai charbon | Carbon brush |
| 116 | 4700/121 | 4109020 | 8004290 | 2.00 | Kohlebürste | Balai charbon | Carbon brush |
| 117 | 30014-12 | 4089070 | | 1.00 | Dichtung | Joint d'étanchéité | Gasket |
| 118 | 30014-61 | 4091150 | | 1.00 | Filterscheibe 93x20 (Set 10 St) | Disque filtrage (kit, 10 p.) | Filter Disc (Set, 10 Parts) |
| 119 | 30015-75 | 4103410 | | 1.00 | Motorgehäuse kpl | Bâti de moteur compl. | Motor Housing Compl. |
| 120 | 33102-01 | 4057970 | 8003370 | 1.00 | Netzkabel 2L SEV | Câble d'alimentation 2L ASE | Main cord 2L SEA |
| 120 | 33102-01 | 4057970 | 8004260 | 1.00 | Netzkabel 2L SEV | Câble d'alimentation 2L ASE | Main cord 2L SEA |
| 120 | 33103-02 | 4015930 | 8003380 | 1.00 | Netzkabel 2L EURO deze nemen | Câble d'alimentation 2L EURO | Main cord 2L EURO |
| 120 | 33103-02 | 4015930 | 8004270 | 1.00 | Netzkabel 2L EURO | Câble d'alimentation 2L EURO | Main cord 2L EURO |
| 120 | 33105-05 | 4062790 | 8004110 | 1.00 | Netzkabel 2L UK | Câble d'alimentation 2L UK | Main cord 2L UK |
| 120 | 30015-59 | 4122478 | 8003390 | 1.00 | Netzkabel 2L+P CSA | Câble d'alimentation 2L+P CSA | Main cord 2L+P CSA |
| 120 | 30015-59 | 4122478 | 8004290 | 1.00 | Netzkabel 2L+P CSA | Câble d'alimentation 2L+P CSA | Main cord 2L+P CSA |
| 120 | 30015-59 | 4122478 | 7510805 | 1.00 | Netzkabel 2L+P CSA | Câble d'alimentation 2L+P CSA | Main cord 2L+P CSA |
| 120 | 33104-18 | 4030490 | 7514526 | 1.00 | Netzkabel 2L CSA | Câble d'alimentation 2L CSA | Main cord 2L CSA |
| 121 | 30013-13 | 4101660 | 8004550 | 1.00 | Netzkabel 2L SEV | Câble d'alimentation 2L ASE | Main cord 2L SEA |
| 121 | 30013-15 | 4101670 | 8004560 | 1.00 | Netzkabel 2L EURO | Câble d'alimentation 2L EURO | Main cord 2L EURO |
| 121 | 30013-15 | 4101670 | 8004561 | 1.00 | Netzkabel 2L EURO | Câble d'alimentation 2L EURO | Main cord 2L EURO |

| S001297 | | | | | Saugeroberteil | Aspirateur partie supérieure | Vacuum upper part |
|----------|---------------------------------|---------------------------------|---------|-----------------|---|--|--|
| Pos. No. | Artikelnr. Article No. Item No. | Bestellnr. No. de com Order No. | Model | Stck. Piè. Qty. | Bezeichnung | Designation | Description |
| 121 | 14602-36 | 4123192 | 8004570 | 1.00 | Netzkabel 2L UK | Câble d'alimentation 2L UK | Main cord 2L UK |
| 121 | 14602-36 | 4123192 | 7517929 | 1.00 | Netzkabel 2L UK | Câble d'alimentation 2L UK | Main cord 2L UK |
| 122 | 4016/203 | 4047410 | | 1.00 | Klemmenleiste 3-Pol 2.5 mm ² | Serre-fils 3-pôles 2.5 mm ² | Connection bloc 3-ways 2.5 mm ² |
| 123 | 1861/8 | 4019810 | | 2.00 | Zyl-Schneid-Schr Sz 2,9x16 | Vis taraud. à tête cyl. 2,9x16 | Notched self tapp.screw 2,9x16 |
| 124 | 1771/55 | 4007660 | 7510805 | 1.00 | Fächerscheibe 5,1 | Rondelle étoile 5,3 | Serrated lock washer 5,1 |
| 124 | 1771/55 | 4007660 | 8003390 | 1.00 | Fächerscheibe 5,1 | Rondelle étoile 5,3 | Serrated lock washer 5,1 |
| 124 | 1771/55 | 4007660 | 8004290 | 1.00 | Fächerscheibe 5,1 | Rondelle étoile 5,3 | Serrated lock washer 5,1 |
| 125 | 30016-66 | 4122492 | | 1.00 | Knickschutztülle | Douille anti-flambage | Cable grommet |
| 126 | 30014-08 | 4125079 | | 1.00 | Unterring | Anneau de caoutchouc | Rubber Ring |
| 127 | 30015-45 | 4125017 | | 1.00 | Schaumstoff | Insertion à mousse | Foam Insert |
| 128 | 30015-67 | 4125585 | | 0.43 | Dichtung | Joint d'étanchéité | Gasket |

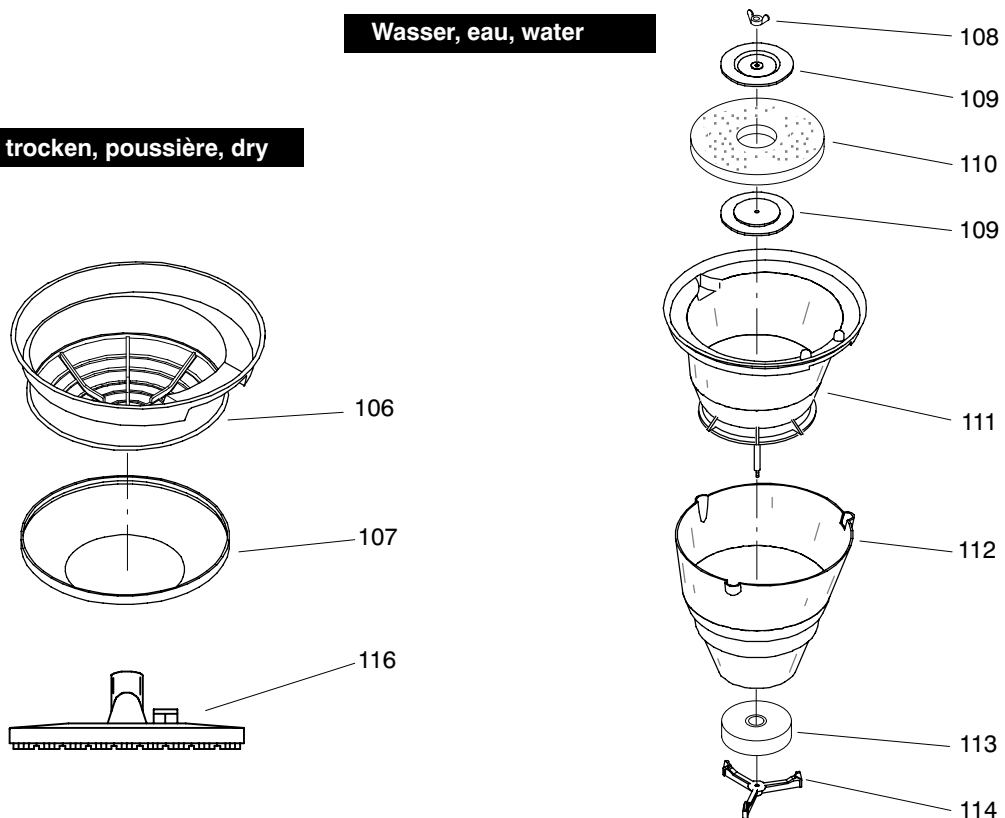


| S001303 | | | | | Kessel | Cuve | Tank |
|----------|---------------------------------|---------------------------------|--------|-----------------|---------------------------------|-------------------------------|-----------------------------|
| Pos. No. | Artikelnr. Article No. Item No. | Bestellnr. No. de com Order No. | Model | Stck. Piè. Qty. | Bezeichnung | Designation | Description |
| 101 | 30015-22 | 4103450 | | 1.00 | Kessel kpl. Vac 12 | Cuve compl. vacuumat 12 | Tank Compl. Vacuumat 12 |
| 101 | 30015-86 | 4107030 | | 1.00 | Kessel kpl. Vac 22 | Cuve compl. vacuumat 22 | Tank Compl. Vacuumat 22 |
| 102 | 30015-87 | 4116880 | | 1.00 | Kessel kpl Vac 22T | Cuve compl. vacuumat 22T | Tank Compl. Vacuumat 22T |
| 103 | 30015-08 | 4103330 | | 1.00 | Tragbügel | Poignée | Handle |
| 104 | 30015-76 | 4103400 | | 1.00 | Stutzen mit Dichtung | Kit manchon support d'asp. | Hose Socket, Gasket Set |
| 105 | 30016-21 | 4095900 | | 1.00 | Lenkrollen Set | Kit de 5 roulette pivotante | Moving Castor 5 Roles-Set |
| 106 | 30015-32 | 4103280 | | 1.00 | Filterkorb | Grille pour sac à poussière | Dust Bag Basket |
| 107 | 30014-20 | 4089080 | | 1.00 | Filtertuch | Filtre coton | Filter Cloth |
| 108 | 1683/5 | 4007310 | | 1.00 | Flügelmutter M6 | Écrou à oreilles M 6 | Wing Nut M 6 |
| 109 | 30015-44 | 4103320 | | 2.00 | Niederhalter | Fixation | Bracket |
| 110 | 32015-4 | 4004500 | | 1.00 | Filter-Scheibe 240/80x20 | Filtre | Filter |
| 111 | 30015-40 | 4103310 | | 1.00 | Schwimmergehäuse | Brise-vague | Float Housing |
| 112 | 30015-39 | 4103300 | | 1.00 | Gehäuse | Bâti | Housing |
| 113 | 32024 | 4004610 | | 1.00 | Schwimmer | Flotteur avec douille | Float With Bush |
| 114 | 30015-38 | 4103290 | | 1.00 | Drehstern | Fixation | Fastener |
| 115 | 30018-06 | 4123173 | OPTION | 1.00 | Spiralschlauch Set Antistatisch | Tuyau, Kit antistatique 44T | Hose, Antistatic Set 44T |
| 116 | 30016-82 | 4126732 | Japan | 1.00 | Universalstaubdüse Schwarz | Suceur à pouss.universel noir | Universal Dust Nozzle Black |

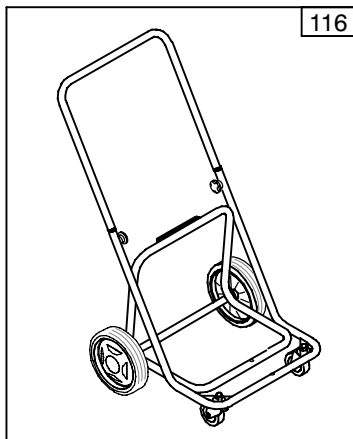
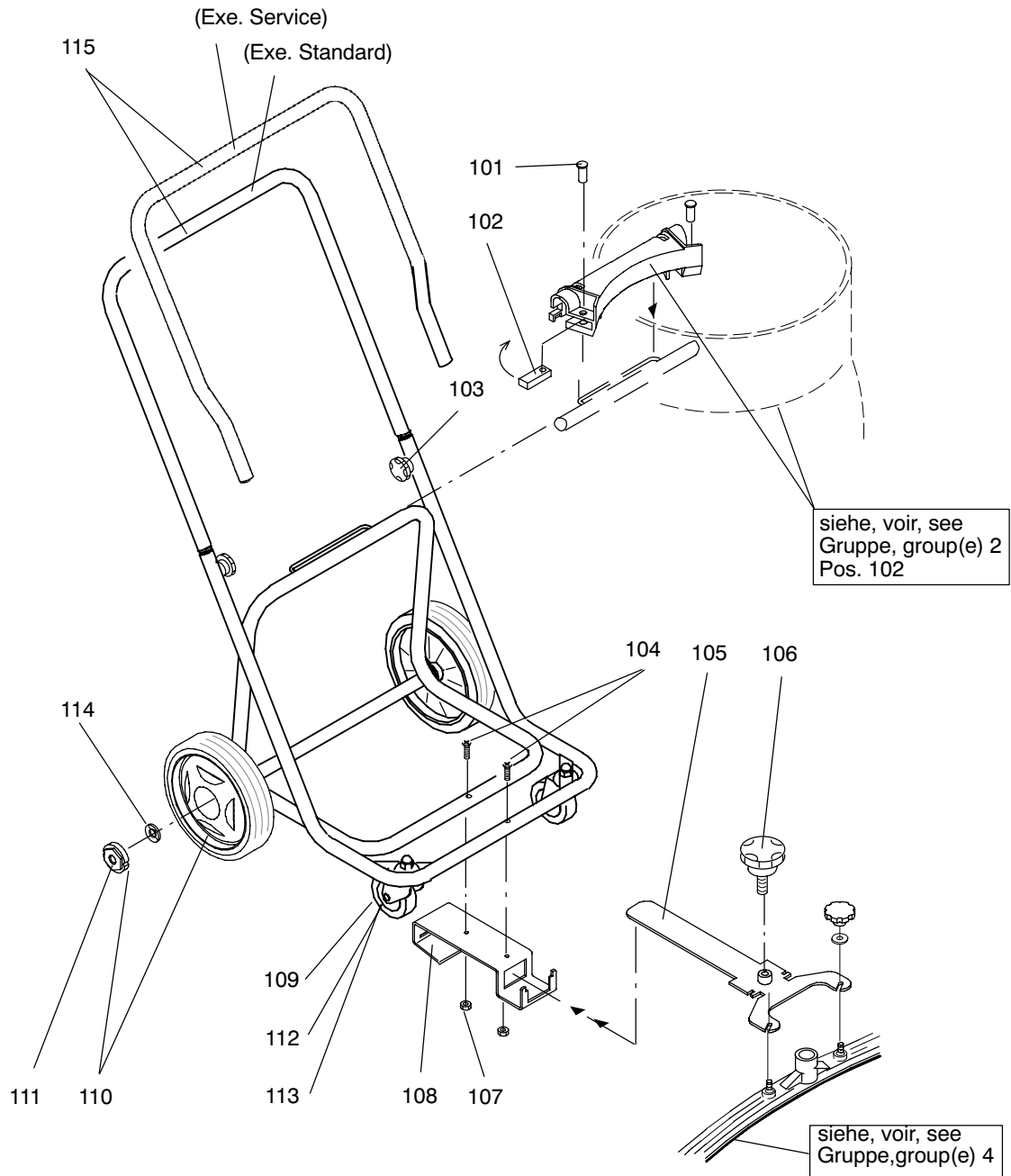


Wasser, eau, water

trocken, poussière, dry



| S001306 | | | | | Fahrgestell | Chariot | Cart |
|----------|---------------------------------|---------------------------------|-------|-----------------|---------------------------|------------------------|----------------------------|
| Pos. No. | Artikelnr. Article No. Item No. | Bestellnr. No. de com Order No. | Model | Stck. Piè. Qty. | Bezeichnung | Designation | Description |
| 101 | 30015-96 | 4116680 | | 2.00 | Bolzen | Goujon | Bolt |
| 102 | 30015-95 | 4116690 | | 2.00 | Hebel | Levier | Lever |
| 103 | 2434/113 | 4077860 | | 2.00 | Sterngriff M6x30 | Vis étoile M 6 | Star Screw M 6 |
| 104 | 60917-59 | 4067970 | | 2.00 | Senkschraube | Vis à tête conique M 6 | Counters. Hd.Cap Screw M 6 |
| 105 | 30015-94 | 4114870 | | 1.00 | Halter | Porte-suceur | Squeegee Bracket |
| 106 | 30603-15 | 4003790 | | 1.00 | Verstellschraube | Vis de réglage | Regulating Screw |
| 107 | 1721/106 | 4092870 | | 2.00 | Sicherungsmutter M6 | Écrou de sureté M 6 | Self-Locking Nut M 6 |
| 108 | 30015-81 | 4114880 | | 1.00 | Befestigung | Support | Bracket |
| 109 | 2036/104 | 4081170 | | 2.00 | Lenkrolle kompl. 75/24 | Roulette pivotante 75 | Castor 75 |
| 110 | 30011-19 | 4095100 | | 2.00 | Rad 200/48 | Roue 200 mm | Wheel 200 mm |
| 111 | 3395/060 | 4104710 | | 2.00 | Deckel | Couvercle | Cap |
| 112 | 1675/105 | 4088840 | | 2.00 | Hutmutter M10 | borgne haut M 10 | Cap Nut M 10 |
| 113 | 1752/16 | 4027970 | | 2.00 | Unterlagscheibe 10,5/20x2 | Rondelle 10,5/21 | Washer 10,5/21 |
| 114 | 2904/041 | 4121938 | | 2.00 | Haltering 20 | Anneau de retenue D 20 | Star Disc D 20 |
| 115 | 30015-99 | 4117950 | | 1.00 | Stossbügel | Etrier 22T/44T | Hoop 22T/44T |
| 116 | 30015-97 | 4117980 | | 1.00 | Kippfahrgestell | Chariot 22T | Cart 22T |



| S001307 | | | | | Düse | Suceur | Squeegee |
|----------|---------------------------------|---------------------------------|---------|-----------------|--------------------------|--------------------------|-------------------------|
| Pos. No. | Artikelnr. Article No. Item No. | Bestellnr. No. de com Order No. | Model | Stck. Piè. Qty. | Bezeichnung | Designation | Description |
| 101 | 33160-08 | 4061230 | | 1.00 | Schlauchstutzen | Manchon de tuyau | Hose Socket |
| 102 | 3241/111 | 4060820 | | 0.42 | Spiralschlauch 31,7/40,5 | Tuyau flexible 31,7/40,5 | Flexible hose 31,7/40,5 |
| 103 | 19000-90 | 4053090 | | 1.00 | Muffe | Manchon fileté | Threaded Adaptor |
| 104 | 2433/101 | 4088430 | | 2.00 | Sterngriff M6 | Bouton étoile M6 | Star knob M6 |
| 105 | 80102-9 | 4005560 | | 2.00 | Scheibe 6,4/25x2 | Rondelle 6,4/25x2 | Washer 6,4/25x2 |
| 106 | 17585-54 | 4105240 | | 1.00 | Clip System Set | Kit clips (10 clips) | Clips Set (10 Clips) |
| 107 | 3061/202 | 4121961 | | 2.00 | Schutzstopfen 7 | Bouchon 7 | Plug 7 |
| 108 | 12200-13 | 4111540 | | 2.00 | Lamelle 38/3x693 | Lamelle 38/3x693 | Blade 38/3x693 |
| 109 | 19512-34 | 4093600 | | 2.00 | Klemmkeil kompl. | Coin de serrage compl. | Clamping Key Compl. |
| 110 | 30019-13 | 4119990 | 8004550 | 1.00 | Düse 660 Fixomat | Suceur 22T/44T | Squeegee 22T/44T |
| 110 | 30019-13 | 4119990 | 8004560 | 1.00 | Düse 660 Fixomat | Suceur 22T/44T | Squeegee 22T/44T |
| 110 | 30019-13 | 4119990 | 8004570 | 1.00 | Düse 660 Fixomat | Suceur 22T/44T | Squeegee 22T/44T |
| 110 | 30019-13 | 4119990 | 8004561 | 1.00 | Düse 660 Fixomat | Suceur 22T/44T | Squeegee 22T/44T |

